

Pipelayers

RL 44
Litronic®

RL 64
Litronic®

Engine output:

175 kW / 238 HP

275 kW / 374 HP

Max. lift capacity:

45,900 kg / 101,192 lb

90,800 kg / 200,179 lb

Operating weight:

35,100 kg / 77,382 lb

58,800 kg / 129,632 lb



LIEBHERR

Basic machine



Engine

	RL 44	RL 64
Liebherr diesel engine	D 936 L A6	D 946 L A6
	Emission regulations according to 97/68/EC, 2004/26/EC Stage IIIA and EPA/CARB Tier 3	
Rating (ISO 9249)	175 kW / 238 HP	275 kW / 374 HP
Rating (SAE J1349)	175 kW / 235 HP	275 kW / 368 HP
Rated speed	1,800 rpm	1,800 rpm
Displacement	10.5 l / 641 in ³	12 l / 733 in ³
Design	6 cylinder in-line-engine (wet-sleeve) water-cooled, turbocharged, intercooled	
Injection system	Direct fuel injection, pump-line-nozzle system, electronic control	
Lubrication	Force-feed lubrication, engine lubrication in an inclined position up to 45°	
Operating voltage	24 V	24 V
Alternator	80 A	80 A
Starter	7.8 kW / 11 HP	7.8 kW / 11 HP
Batteries	2 x 170 Ah / 12 V	2 x 225 Ah / 12 V
Air cleaner	Dry-type air cleaner with safety element, aspirated pre-cleaner, service gauge in cab	
Cooling system	Combi radiator, comprising a radiator for water and charge air, hydrostatic fan drive	



Travel drive, control

	RL 44	RL 64
Transmission system	Infinitely variable hydrostatic travel drive, independent drive for each frame	
Travel speed*	Continuously variable	
Speed range 1 (reverse)	0–4.0 km/h/2.5 mph (4.8 km/h/2.9 mph)	
Speed range 2 (reverse)	0–6.5 km/h/4.0 mph (7.8 km/h/4.8 mph)	
Speed range 3 (reverse)	0–10.5 km/h/6.8 mph (10.5 km/h/6.5 mph)	
	* Pre-adjusted, all speed ranges can be customised on the travel joystick (memory function)	
Drawbar pull	300 KN at 1.7 km/h / 1.0 mph	520 KN at 1.5 km/h / 0.9 mph
Electronic control	Electronic engine speed sensing control (load sensing feature) automatically adjusts travel speed and drawbar pull to match changing load conditions	
Steering	Hydrostatic	
Service brake	Wear-free, hydrostatic (dynamic braking)	
Automatic park brake	Wear-free, wet multiple-disc brakes, automatically applied with neutral joystick position	
Cooling system	Hydraulic oil cooler integrated in combi radiator	Separate hydraulic oil cooler
	hydraulic oil cooler hydrostatically driven and thermostatically controlled	
Filter system	Micro cartridge filters in cooling circuit	
Final drive	Heavy-duty combination spur gear with planetary final drives, double sealed with electronic seal-integrity indicator	
Control	Single-lever for all travel and steering motions, as well as for counterrotation	



Noise emission

	RL 44	RL 64
Operator sound exposure (ISO 6396:2008)	$L_{pA} = 78$ dB(A) (emission at the operator's position)	$L_{pA} = 78$ dB(A)
Exterior sound pressure (2000/14/EC)	$L_{wA} = 108$ dB(A) (emission in the environment)	$L_{wA} = 108$ dB(A)



Operator's cab

	RL 44	RL 64
Cab	Resiliently mounted cab with positive pressure ventilation, can be tilted with hand pump 40° to the rear. With ROPS Rollover Protective Structure (ISO 3471)	
Operator's seat	Comfort seat, adjustable to operator's weight	
Monitoring	Combined analogue / LC display, automatic monitoring, display of deviating operating conditions	



Refill capacities in Imp. Gallons

	RL 44	RL 64
Fuel tank	400 l / 88 gallons	650 l / 143 gallons
Cooling system	62 l / 13.6 gallons	74 l / 16.3 gallons
Engine oil with oil filters	43 l / 9.5 gallons	43 l / 9.5 gallons
Splitter box	3.1 l / 0.7 gallons	5.5 l / 1.2 gallons
Hydraulic tank	126 l / 27.7 gallons	215 l / 47.3 gallons
Final drive, each	14 l / 3.1 gallons	26 l / 5.7 gallons



Undercarriage

	RL 44	RL 64
Design	Track frame, rigid	
Mount	Elastic components at a separate pivot	
Chains	Lubricated, single-bar grouser shoes, track chain tension via grease tensioner and hydraulic cylinders	
Links, each side	43	48
Track rollers/ carrier rollers	8/2 each side	9/2 each side
Sprocket segments	5 each side	5 each side
Track shoes	914 mm / 36"	914 mm / 36"
	711 mm / 28"	762 mm / 30"



Hydraulic system

	RL 44	RL 64
System	Load Sensing proportional pump flow control	
Pump type	Swash plate, variable displacement piston pump	
Pump flow max.	283 l/min / 62.3 gpm	
Pressure limitation	280 bar / 4,060 PSI	
Control valve	3 segments, expandable to 4	
Filter system	Return filter with magnetic rod in the hydraulic tank	
Control	Single joystick for hoist winch and adjustable boom cylinder, free fall device of hook in case of danger. Further single joystick for counterweight.	

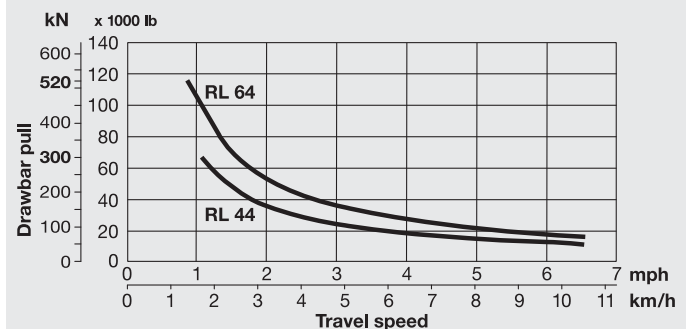


Hydraulic winch

	RL 44	RL 64
Hoist winch	Variable flow hydraulic pump	
Safety brake	Spring-loaded disk brake holds the load safely in any position	
Drum diameter	254 mm / 10"	254 mm / 10"
Drum length	279 mm / 10'98"	279 mm / 10'98"
Flange diameter	610 mm / 24'02"	610 mm / 24'02"
Cable diameter	20 mm / 79"	20 mm / 79"
Cable length	65 m / 71.08 yd	100 m / 109.36 yd
Hook block	4 sheaves	8 sheaves
Hook speed (up,down)	0–30.2 m/min, 0–99 ft/min	0–16.0 m/min, 0–52 ft/min

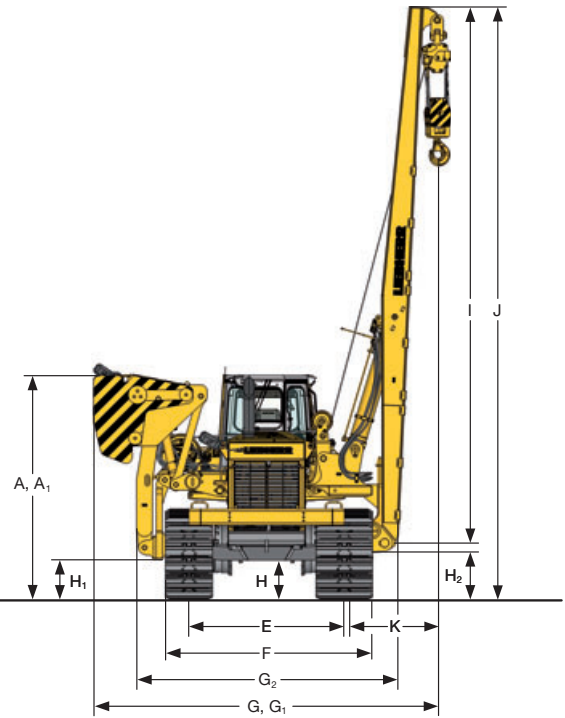
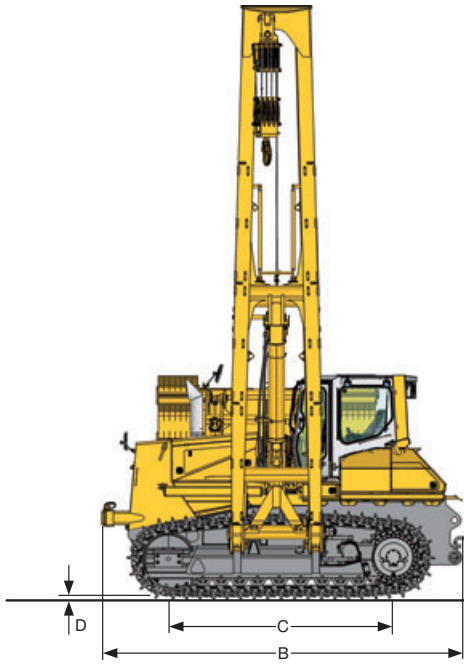


Drawbar pull RL 44/RL 64



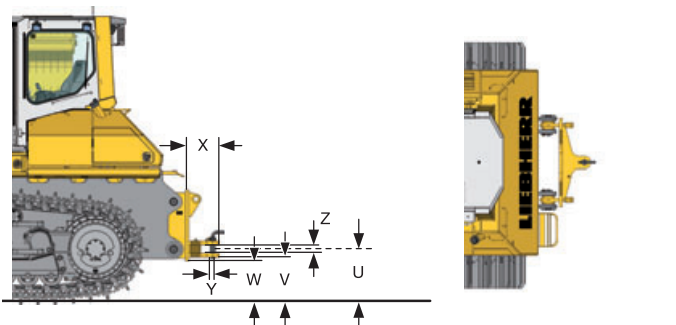
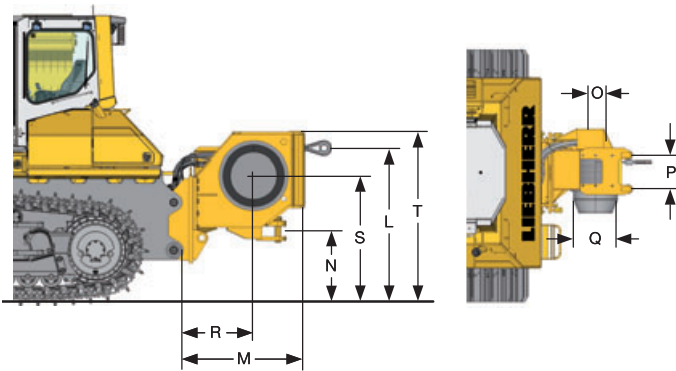
Usable drawbar pull will depend on traction and weight of pipelayer

Dimensions and weights



Dimensions		RL 44	RL 64
A	Height over cab	mm/ft-in 3,226 / 10'7"	3,555 / 11'8"
A ₁	Height over counterweight	mm/ft-in 2,876 / 9'5"	3,543 / 11'7"
B	Overall length	mm/ft-in 5,146 / 16'11"	5,795 / 19'0"
C	Distance idler/sprocket center	mm/ft-in 3,315 / 10'11"	3,610 / 11'10"
D	Height of grousers	mm/in 71.5 / 2.81"	84 / 3.31"
E	Track gauge	mm/ft-in 2,075 / 6'10"	2,510 / 8'3"
F	Total width over undercarriage	mm/ft-in 2,887 / 9'6"	3,348 / 11'0"
G	Width (counterweight retracted)	mm/ft-in 4,104 / 13'6"	5,651 / 18'6"
G ₁	Width (counterweight extended)	mm/ft-in 5,745 / 18'10"	7,291 / 23'11"
G ₂	Width (console to boom)	mm/ft-in 3,565 / 11'8"	4,245 / 14'0"

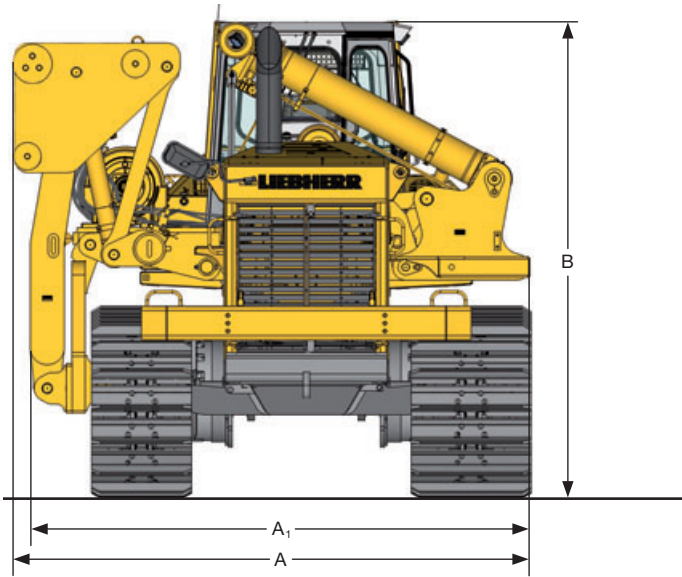
Dimensions		RL 44	RL 64
H	Ground clearance	mm/ft-in 461 / 1'6"	552 / 1'10"
H ₁	Ground clearance of console	mm/ft-in 573 / 1'11"	565 / 1'10"
H ₂	Ground clearance of boom	mm/ft-in 674 / 2'3"	682 / 2'3"
I	Boom length	mm/ft-in 6,010 / 19'9"	8,500 / 27'11"
J	Total height	mm/ft-in 6,999 / 1'6"	9,515 / 31'3"
K	Distance (outer edge of chain link to hook)	mm/ft-in 1,178 / 3'10"	1,380 / 4'6"
	Operating weight	kg/lb 35,100 / 77,382	58,000/127,868
	Counterweight without frame	kg/lb 5,030 / 11,089	12,000 / 26,455
	Counterweight	kg/lb 7,222 / 15,922	15,985 / 35,241
	Weight of standard boom	kg/lb 1,701 / 3,750	3,327 / 7,335



Winch		RL 44	RL 64
L	Height, cable exit	mm/ft-in 1,571 / 5'2"	1,608 / 5'3"
M	Overall length	mm/ft-in 1,203 / 3'11"	1,180 / 3'10"
N	Height drawbar	mm/ft-in 763 / 2'6"	800 / 2'7"
O	Drum diameter	mm/ft-in 318 / 1'1"	318 / 1'1"
P	Coiling width	mm/ft-in 337 / 1'1"	337 / 1'1"
Q	Flange diameter	mm/ft-in 610 / 2'0"	610 / 2'0"
R	Distance to center of drum	mm/ft-in 696 / 2'3"	673 / 2'2"
S	Height of drum center	mm/ft-in 1,314 / 4'4"	1,351 / 4'5"
T	Total height	mm/ft-in 1,763 / 5'9"	1,800 / 5'11"
	Max. line pull	kN/lb 577 / 129,669	
	Max. line speed	m/min / yd/min 0 - 28 / 30.62	
	Cable diameter	mm/in 28 / 1.1"	
	Cable length	m/yd 60 / 65.62	
	Weight	kg/lb 2,565 / 5,655	2,650 / 5,842

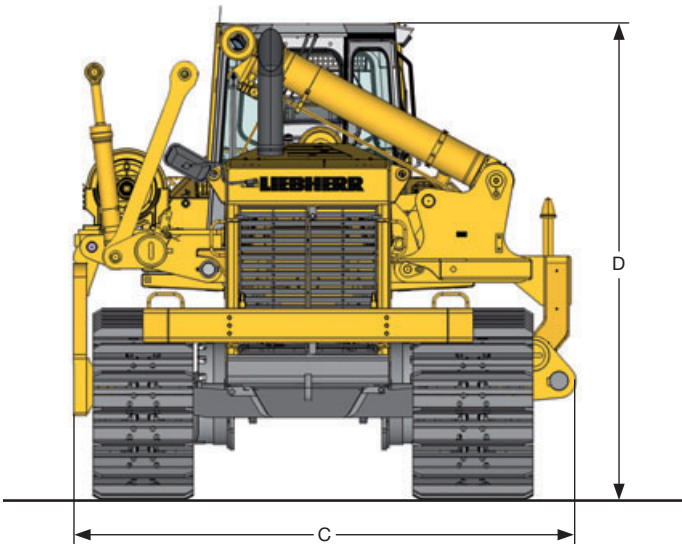
Drawbar, rigid		RL 44	RL 64
U	Height of drawbar	mm/ft-in 542 / 1'9"	620 / 2'0"
V	Ground clearance below drawbar	mm/ft-in 454 / 1'6"	517 / 1'8"
W	Ground clearance below drawbar suspension	mm/ft-in 429 / 1'5"	467 / 1'6"
X	Overall length	mm/ft-in 413 / 1'4"	455 / 1'6"
Y	Pin diameter	mm/in 50 / 1.97"	60 / 2.36"
Z	Size of opening	mm/in 95 / 3.74"	105 / 4.13"
	Weight	kg/lb 212 / 467	577 / 1,272

Transport dimensions and weights



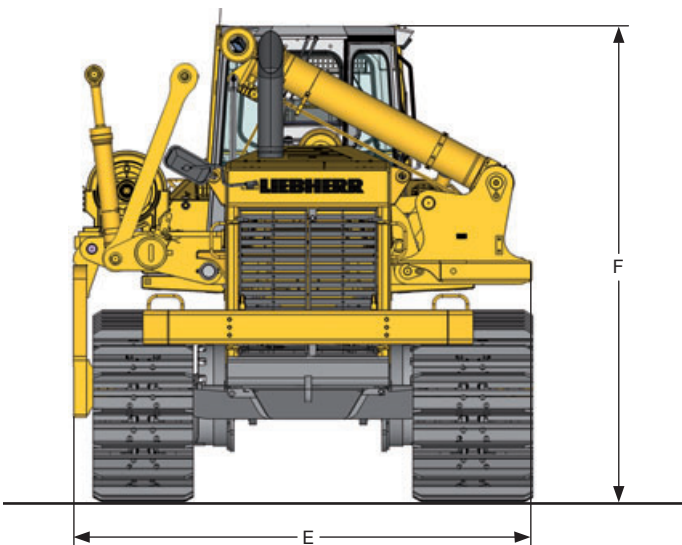
Transport dimensions, displayed position

		RL 44	RL 64
A Overall width	mm/ft-in	3,283 / 11'15"	3,935 / 12'11"
A ₁ Width (from console to left track)	mm/ft-in	3,283 / 10'9"	3,816 / 12'6"
B Total height	mm/ft-in	3,298 / 10'10"	3,639 / 11'11"
Weight	kg/lb	27,898 / 61,504	42,590 / 93,895



Transport dimensions, displayed position

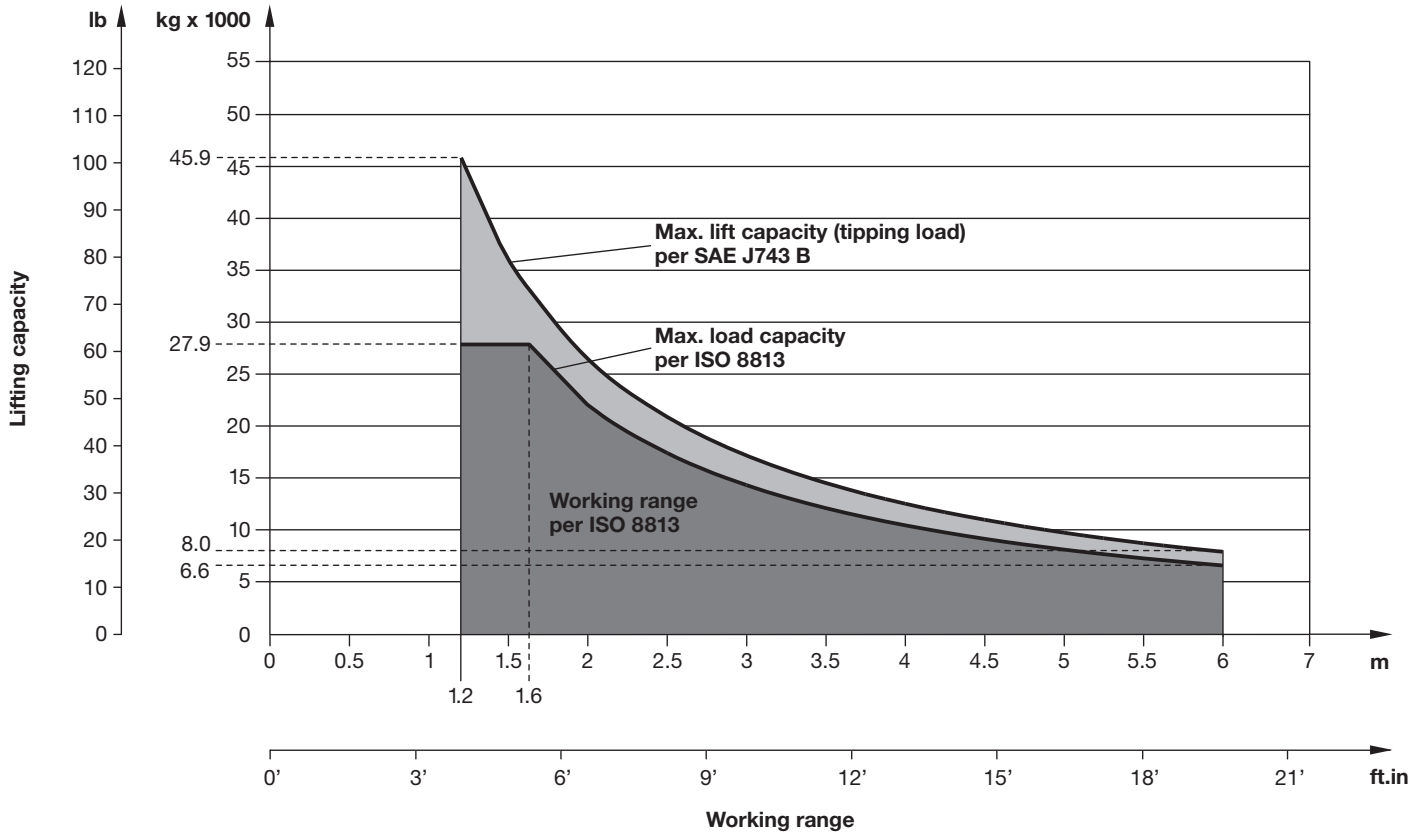
		RL 44	RL 64
C Overall width	mm/ft-in	3,189 / 10'6"	3,824 / 12'7"
D Total height	mm/ft-in	3,298 / 10'10"	3,639 / 11'11"
Weight	kg/lb	26,555 / 58,544	40,102 / 88,410



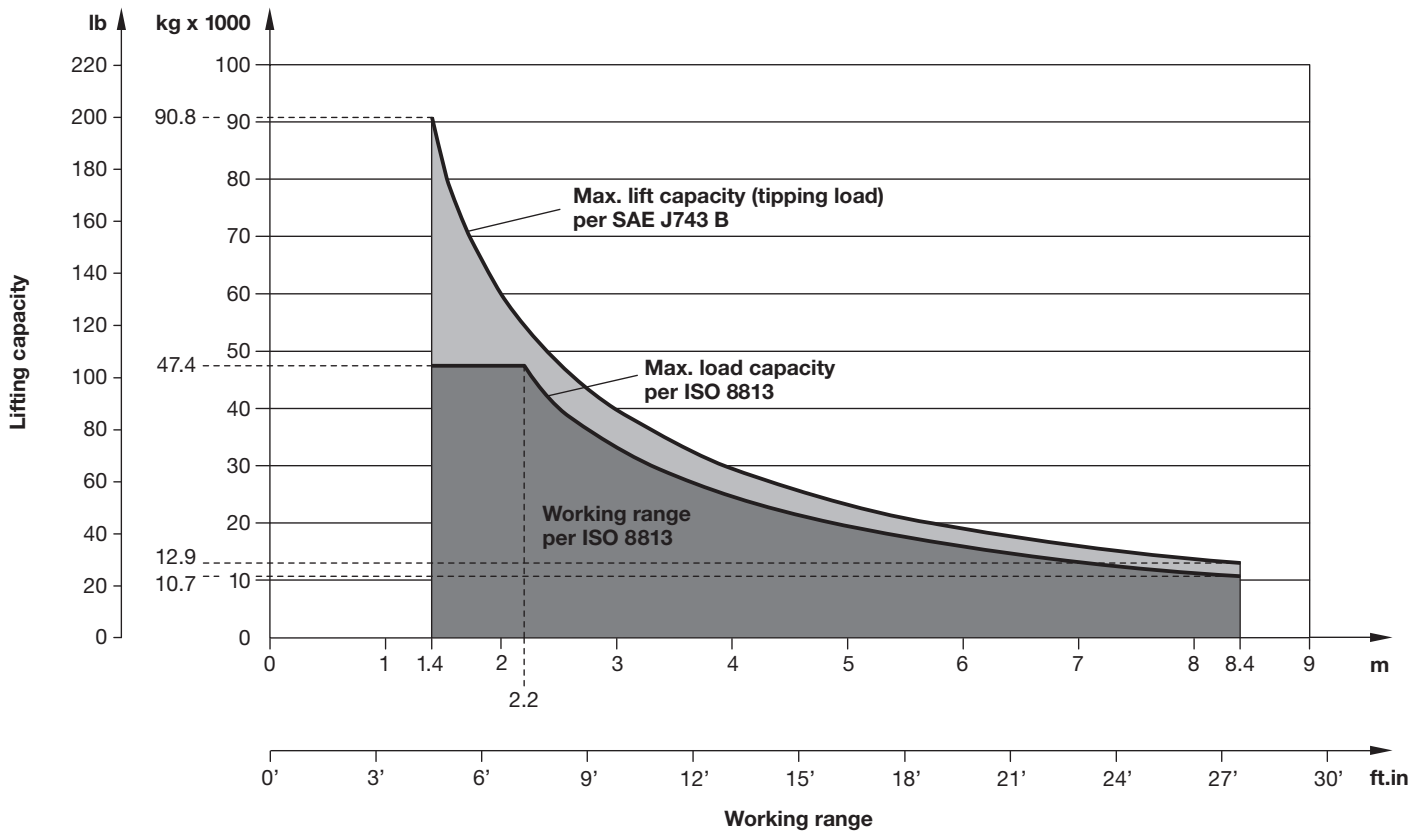
Transport dimensions, displayed position

		RL 44	RL 64
E Overall width	mm/ft-in	2,997 / 9'10"	3,497 / 11'6"
F Total height	mm/ft-in	3,298 / 10'10"	3,639 / 11'11"
Weight	kg/lb	26,084 / 57,505	39,219 / 86,463

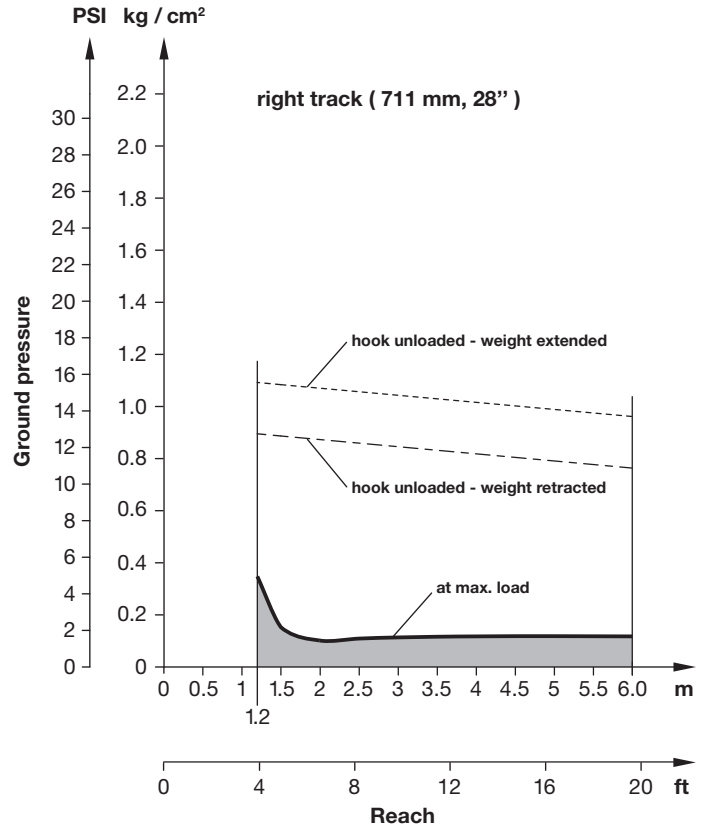
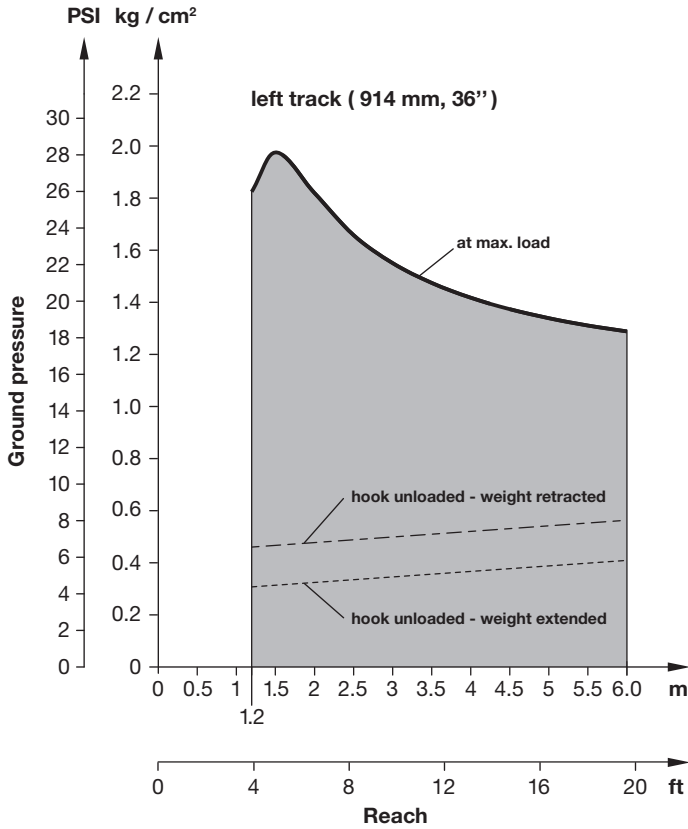
Lift capacity RL 44



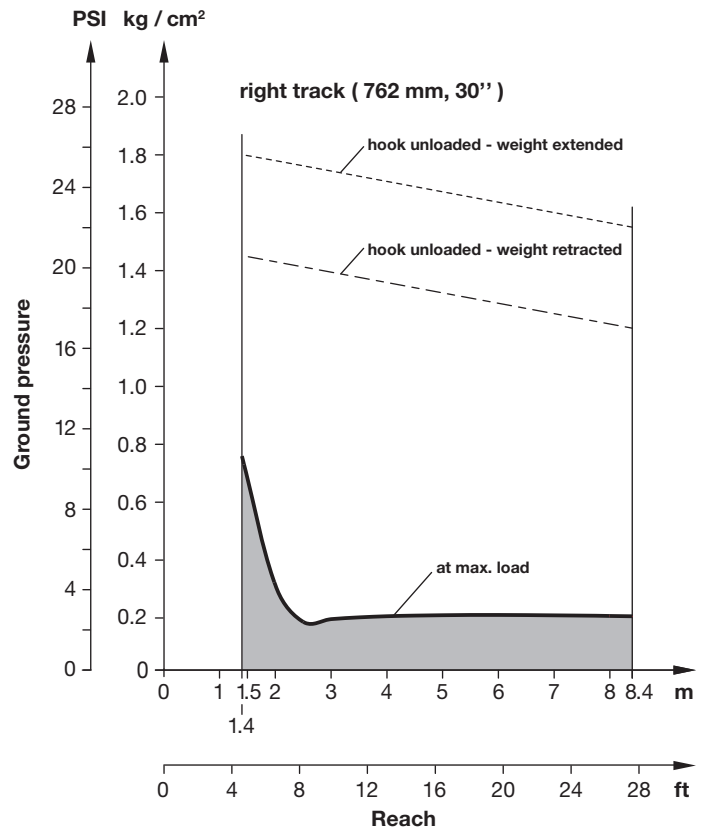
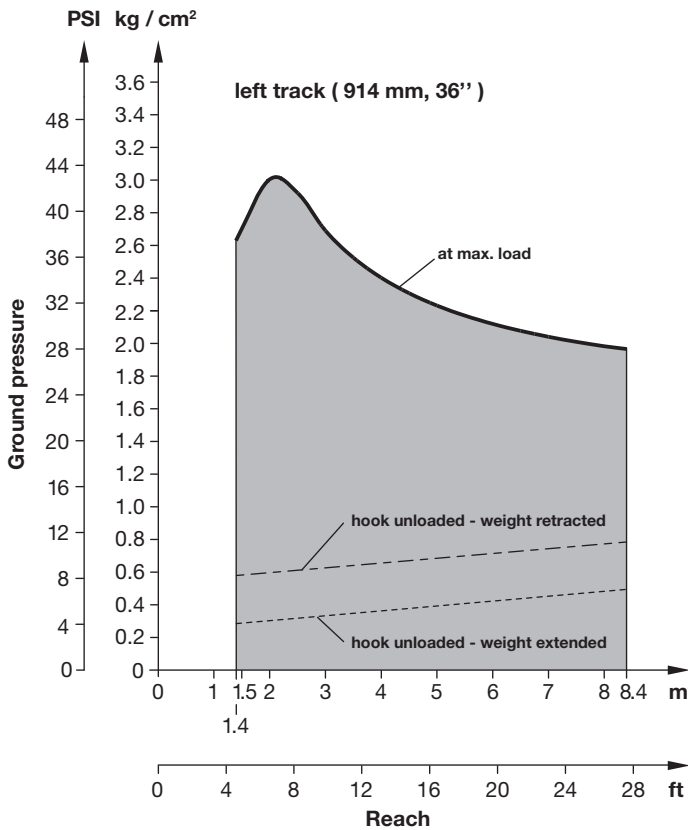
Lift capacity RL 64



Ground pressure RL 44 (ISO 8813)



Ground pressure RL 64 (ISO 8813)



Equipment



Basic machine

	s	o
Tow switch	•	
Towing hitch rear	•	
Towing lug front	•	
Battery compartment, lockable	•	
Refuelling pump, electric		•
Belly pans, heavy-duty	•	
Cold start device, heating coil	•	
Radiator, wide-meshed	•	
Radiator guard, heavy-duty	•	
Radiator guard, hinged	•	
Liebherr diesel engine	•	
Fan, hydraulically driven	•	
Fan guard	•	
Engine cover, perforated	•	
Engine doors, perforated	•	
Engine doors, hinged, lockable	•	
Lugs for crane lifting		•
Special paint		•
Fuel water separator	•	
Fuel water separator with electric heater		•
Air filter dry-type, dual step	•	
Pre-cleaner with automatic dust ejector	•	
Toolkit	•	



Travel drive

	s	o
Parking brake, automatic	•	
Function control, automatic	•	
Control, single joystick	•	
Load limit control, electronic	•	
Electronic control	•	
Travel control 3-speed	•	
Hydrostatic travel drive	•	
Inching brake pedal		•
Oil cooler	•	
Final drives planetary gear	•	
Safety lever	•	
Emergency stop	•	



Undercarriage

	s	o
Track frame, closed	•	
Sprocket segments, bolted	•	
Master link, two-piece	•	
Track guide centre part		•
Tracks oil lubricated	•	
Track guard		•
Track frame, rigid	•	
Track frames	•	
Pivot shaft, separate	•	



Electrical system

	s	o
Starter motor	•	
Working lights, front, 2 units	•	
Working lights, rear, 2 units	•	
Working lights, side 2 units	•	
Working light, winch, 1 unit	•	
Batteries, cold start, 2 units	•	
Battery main switch, mechanical	•	
On-board system 24 V	•	
Alternator 80 A	•	
Back-up alarm		•
Beacon		•
Horn	•	
Start lock, electronic		•
Additional lights		•



Operator's cab

	s	o
Storage compartment front	•	
Armrest 3D adjustable	•	
Ash tray	•	
Pressurised air filter	•	
Operator's seat, 6-way adjustable	•	
Operator's seat, air-suspended		•
Fire extinguisher in cabine		•
Dome light	•	
Coat hook	•	
Air conditioning		•
FM radio		•
Radio installation kit		•
ROPS	•	
Rear mirror, inside	•	
Safety glass, tinted	•	
Windshield wiper dormer window		•
Windshield wiper left door and left window		•
Windshield wipers front, rear	•	
Dormer window	•	
Extension, seat back		•
Sun visor front	•	
Socket 12 V	•	
Warm water heating	•	



Control and warning lights

	s	o
Control travel speed range (digital)	•	
Control engine coolant temperature (analogue)	•	
Control fuel level (analogue)	•	
Hour meter (analogue)	•	
Warning light battery charging	•	
Warning light diesel engine	•	
Warning light electronic travel control system		•
Warning light travel drive seal, each side	•	
Warning light parking brake	•	
Warning hydraulic oil temperature		•
Warning light pump replenishing pressure		•
Warning light oil return filter	•	
Warning light air filter	•	
Warning light heater Diesel engine	•	
Main warning light	•	



Hydraulic system

	s	o
Hydraulic control counterweight	•	
Hydraulic control winch and boom	•	
Variable flow pump, load sensing	•	
Oil filter with strainer in hydraulic tank	•	
Free fall device	•	
Control valve for 1 circuit		•
Hydraulic servo control	•	
Hydraulic tank oil level control		•



Attachments

	s	o
Boom RL 44 6,010 mm/19'9"; RL 64 8,500 mm/27'11"	•	
Boom RL 44 7,300 mm/23'11"; RL 64 10,500 mm/34'5"		•
Counterweight	•	
Hook with rope	•	
Drawbar rear, rigid		•
Counterweight, rear		•
Winch rear		•

s = standard
o = option
• = RL 44 and RL 64

Subject to changes.

Options and/or special attachments, supplied by vendors other than Liebherr, are only to be installed with the knowledge and approval of Liebherr to retain warranty.

The Liebherr Group of Companies

Wide product range

The Liebherr Group is one of the largest construction equipment manufacturers in the world. Liebherr's high-value products and services enjoy a high reputation in many other fields, too. The wide range includes domestic appliances, aerospace and transportation systems, machine tools and maritime cranes.

Exceptional customer benefit

Every product line provides a complete range of models in many different versions. With both their technical excellence and acknowledged quality, Liebherr products offer a maximum of customer benefits in practical application.

State-of-the-art technology

To provide consistent, top quality products, Liebherr attaches great importance to each product area, its components and core technologies. Important modules and components are developed and manufactured in-house, for instance the entire drive and control technology for construction equipment.

Worldwide and independent

Hans Liebherr founded the Liebherr family company in 1949. Since that time, the enterprise has steadily grown to a group of 100 companies with over 32,000 employees located on all continents. The corporate headquarters of the Group is Liebherr-International AG in Bulle, Switzerland. The Liebherr family is the sole owner of the company.

www.liebherr.com



Printed in Germany by XXX RG-BK-RP LWT/VM 10801615-X-07.09_en

Liebherr-Werk Telfs GmbH

Hans Liebherr-Straße 35, A-6410 Telfs

☎ +43 50809 6-100, Fax +43 50809 6-7772

www.liebherr.com, E-Mail: lwt.marketing@liebherr.com